

MNT-CEILING-30

Ceiling Mount Bracket

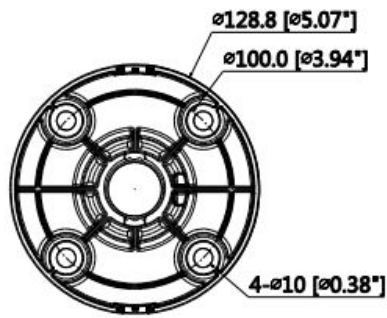
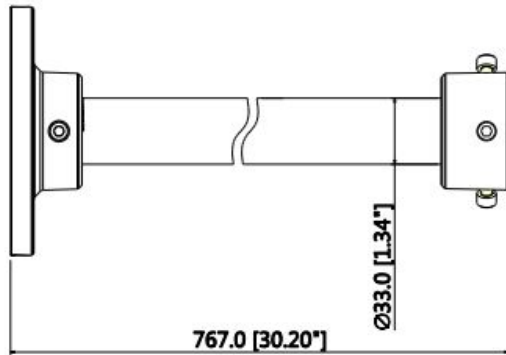


- Aesthetic design
- Material: Aluminum
- Ceiling mount only compatible with MNT-ADAPT-SM

Technical Specification

Model	MNT-CEILING-30
Physical Properties	
Material	Aluminum
Dimension(W xH xD)	5.07"x 30.2" (128.8mmx767.0mm)
Weight	0.9kg(1.98lb)
Load Bearing	2kg(4.41lb)
Color	White
Operating Temperature	40°C~60°C(-40°F~140°F)
Humidity	0~90% RH
Applicable Models:	Ceiling mount only compatible with MNT-ADAPT-SM

Dimensions (mm/in)



Application

